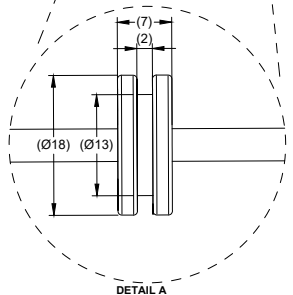
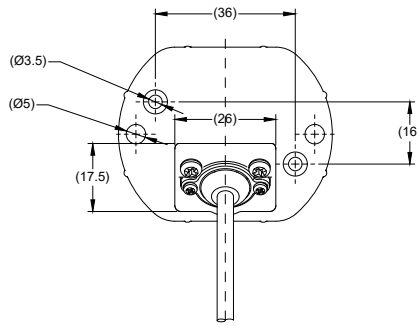
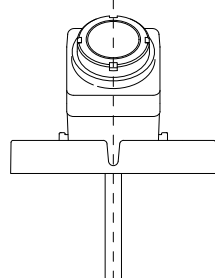
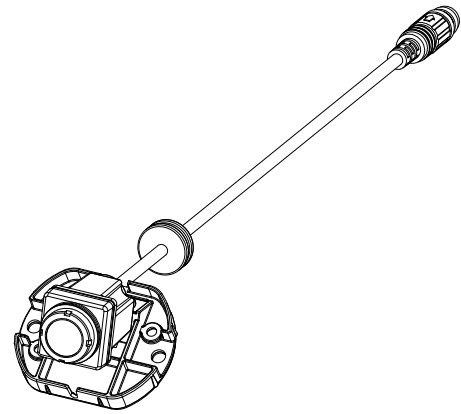
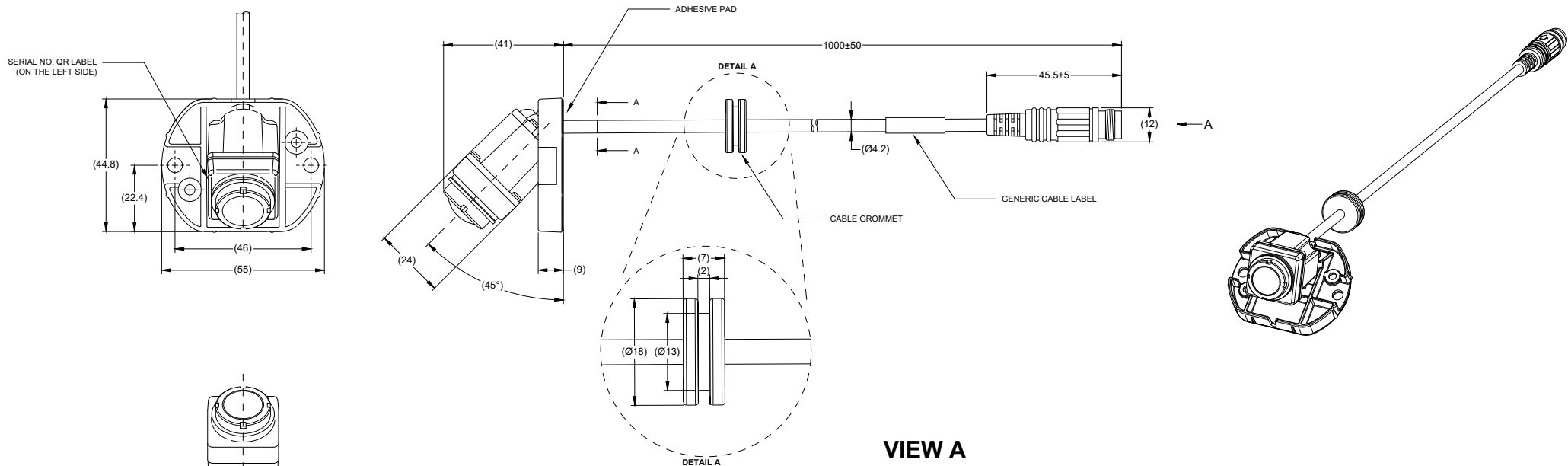
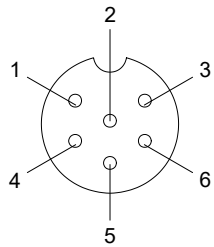


| Revision Notes. | | | | |
|-----------------|---------|-----------|------------|---------|
| R1 - | | | | |
| APA: - | Drawn:- | Checked:- | Approved:- | Date: - |

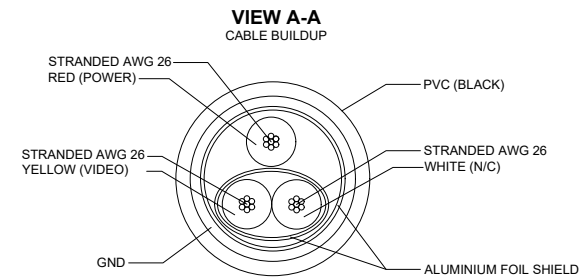


VIEW A



6 PIN MALE MATING FACE

| PIN # | WIRE COLOUR | DESCRIPTION |
|-------|-------------|-------------|
| 1 | N/A | N/C |
| 2 | RED | POWER |
| 3 | YELLOW | VIDEO |
| 4 | N/A | N/C |
| 5 | N/A | N/C |
| 6 | BLACK | GND |



- NOTES:**
- FOR PRODUCT LABEL AND PACKAGING DETAIL REFER TO MASTER BOM.
 - HEAT SHRINK LABELING IS FREE TO MOVE ON CABLE AND CONTROLLED BY MANUFACTURER.
 - ANY CUSTOMER MODIFICATIONS OF THIS PRODUCT CAUSING SUBSEQUENT FAILURE IS NOT A LIABILITY OF BRIGADE ELECTRONICS PLC.
 - SERIAL NO. LABEL CONTROLLED BY MANUFACTURER.

PROPRIETARY NOTICE
 THIS DESIGN AND TECHNICAL INFORMATION APPEARING ON THIS DRAWING IS THE PROPERTY OF BRIGADE ELECTRONICS, AND IS DISCLOSED IN CONFIDENCE. IT IS NOT TO BE COPIED, REPRODUCED, REVEALED TO OR EXPROPRIATED BY OTHERS, EITHER IN WHOLE OR IN PART WITHOUT THE EXPRESS WRITTEN CONSENT OF BRIGADE ELECTRONICS.

| | | | | |
|--------------------------|---------------------------------------|----------------------------------|-------------------------|----------------------|
| Sheet 1 of 1 | Assembly Pl Approval SEONGS00 PARK | Approved by R.PENTLEY | Checked by L. CHEUNG | Drawn by S.LAWAL |
| Customer Approval N/A | Angle of Projection | Units mm | Scale N/A | Released 12/05/25 |
| Status RELEASED | | Assembly Ref BN360-1000C(100) | | |
| Part No 8205 | | BE-005007-00-25 | | |

